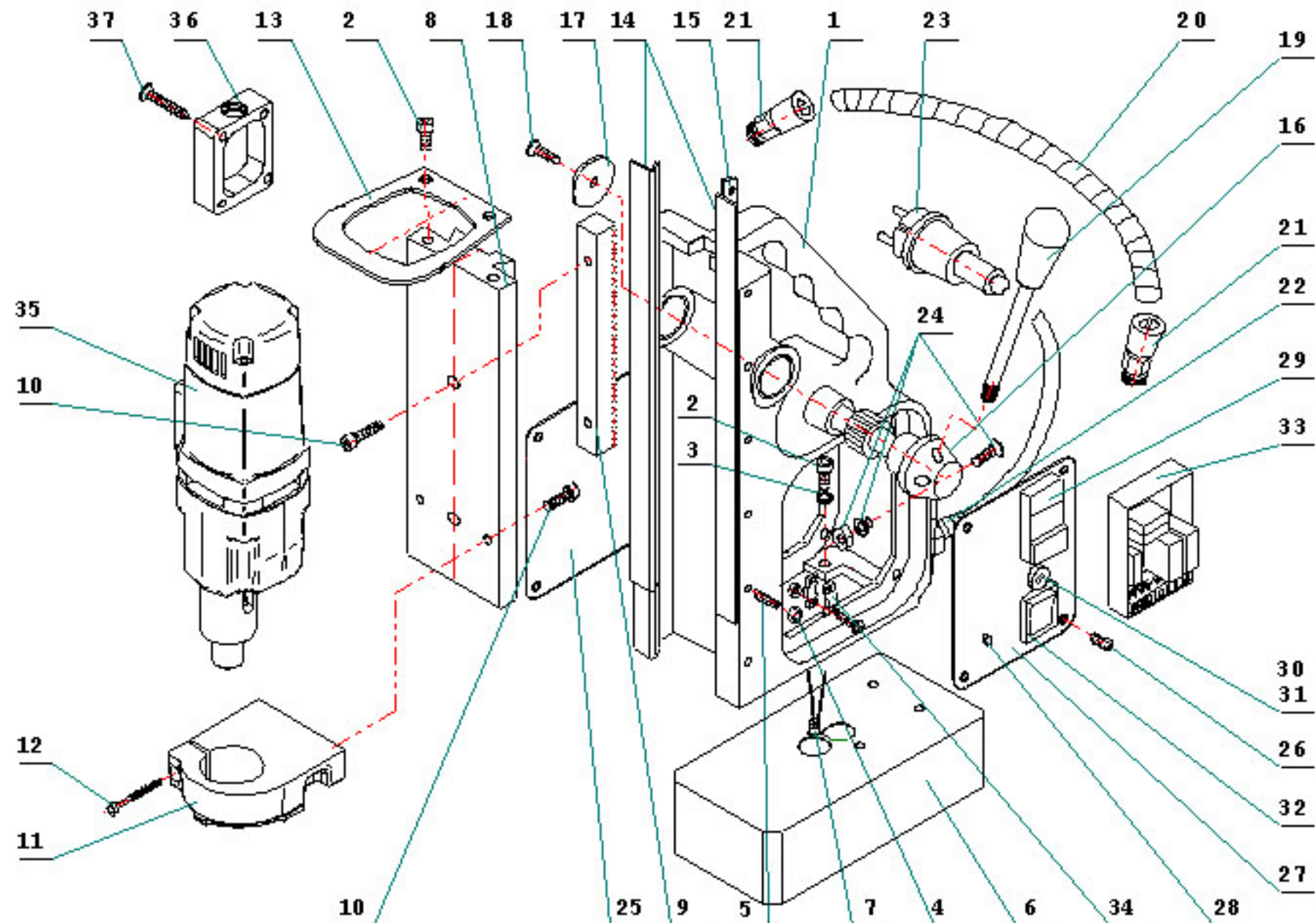


1	6011113	Frame 4 holes - 4 fixing screws
1A	6011112	Frame 4 holes - 6 fixing screws
1B	6011111	Frame 4 holes - notched
2	6010011	Screw M6x16
3	6010021	Spring washer 6.3
4	6010031	Hex nut M5
5	6010041	Adjusting screw M5
6	6011132	Magnet 4 holes (indicator option) - from of 01.06.2005
6A	6011131	Magnet 4 holes (indicator option)
6B	6010051	Magnet 4 holes (w/o indicator)
6C	6010050	Magnet universal (w/o indicator)
7	6010061	Magnet indicator
8	6010073	Slide unsymmetrical L:253 mm, B:80 mm, hole distance 66 mm
9	6010081	Rack
10	6010091	Screw M6x20
11	6010361	Motor holder
12	6010111	Screw M6x25
13	6010121	Motor fixing plate
14	6011191	Guide strip (r/l) L:249 mm, glued
14a	6010192	Guide strip (r/l) L:249 mm, notched
15	6010202	Guide strip brass (right) L:249, 4 screws
15a	6010201	Guide strip steel (right), L:249
16	6010210	Capstan
17	6010221	Plate for capstan
18	6010231	Screw for capstan
19	6010241	Handle
20	7010001	Cable protection hose
20a	7010011	Protection hose with cable screws
21	7010021	Cable screw PG9
22	7010031	Cable screw PG11
23	7010041	Cable with plug 220-240 V
23a	7010411	Cable with english plug 220-240 V
23b	7010051	Cable 110 V (plug at request)
24	7010771	Earthing
25	7011241	Rear plate
26	7010081	Screw for front plate M4x6
27	7011311	Front plate
28	7010101	Led-light for indicator
29	7010111	On/off switch motor
30	7010121	Fuse holder
31	7010131	Fuse 2A, 5x20 250 V F, DIN 41 661
32	7010141	On/off switch magnet
33	7010153	Control unit 230 V, 3 relays, from of 01.06.2005
33a	7010152	Control unit 230 V, 3 relays
33b	7010163	Control unit 110V, 3 relays, from of 01.06.2005
33c	7010162	Control unit 110V, 3 relays
34	7010971	Strain relief
35	5004501	Motor unit complete 230V
35a	5004511	Motor unit complete 110V
36	6010391	Side cover

FE 50 - housing



- 1 5010031 Screw 3,9x60
- 2 5010531 Washer 15/22x0,2
- 3 5010351 Needle bearing HK 0810
- 4 5010061 Ball bearing 608 2Z
- 5 5010081 Ball bearing 6001 2Z
- 6 5010541 Idler 34T
- 7 5010411 Gear shaft assembly 13T
- 8 5010421 Shaft 2 washers
- 9 5010551 Spindle
- 10 5010561 Carbon brush holder
- 11 5010571 Carbon brush
- 12 5010581 Screw 4,8x45
- 13 5010231 Screw 4,8x50
- 14 5010591 Washer 22x2,5
- 15 5010601 Ball bearing 6904 2RS
- 16 5010611 Ball bearing 6203 2RS
- 17 6010621 Spindle gear 45T
- 18 5010631 Gear block 34/40T
- 19 5010641 Air guide
- 20 5010651 Armature 220-240V
- 20a 5010661 Armature 110V
- 21 5010671 Field 220-240V
- 21a 5010681 Field 110V
- 22 5010691 Motor cover
- 23 5010701 Motor housing
- 24 5010711 Circlip 11/1
- 25 5010721 Circlip 15/1
- 26 5010271 Circlip 28/1,2
- 27 5010731 Gear plate
- 28 5010741 Gear casing
- 29 5010751 Key A5x5x12
- 30 5010501 Key A5x5x28
- 31 5010291 Grooved pin 4x12
- 32 5010761 Gear selector
- 33 5010521 Gear switch
- 34 5010771 Grease container

FE 50 - motor unit

