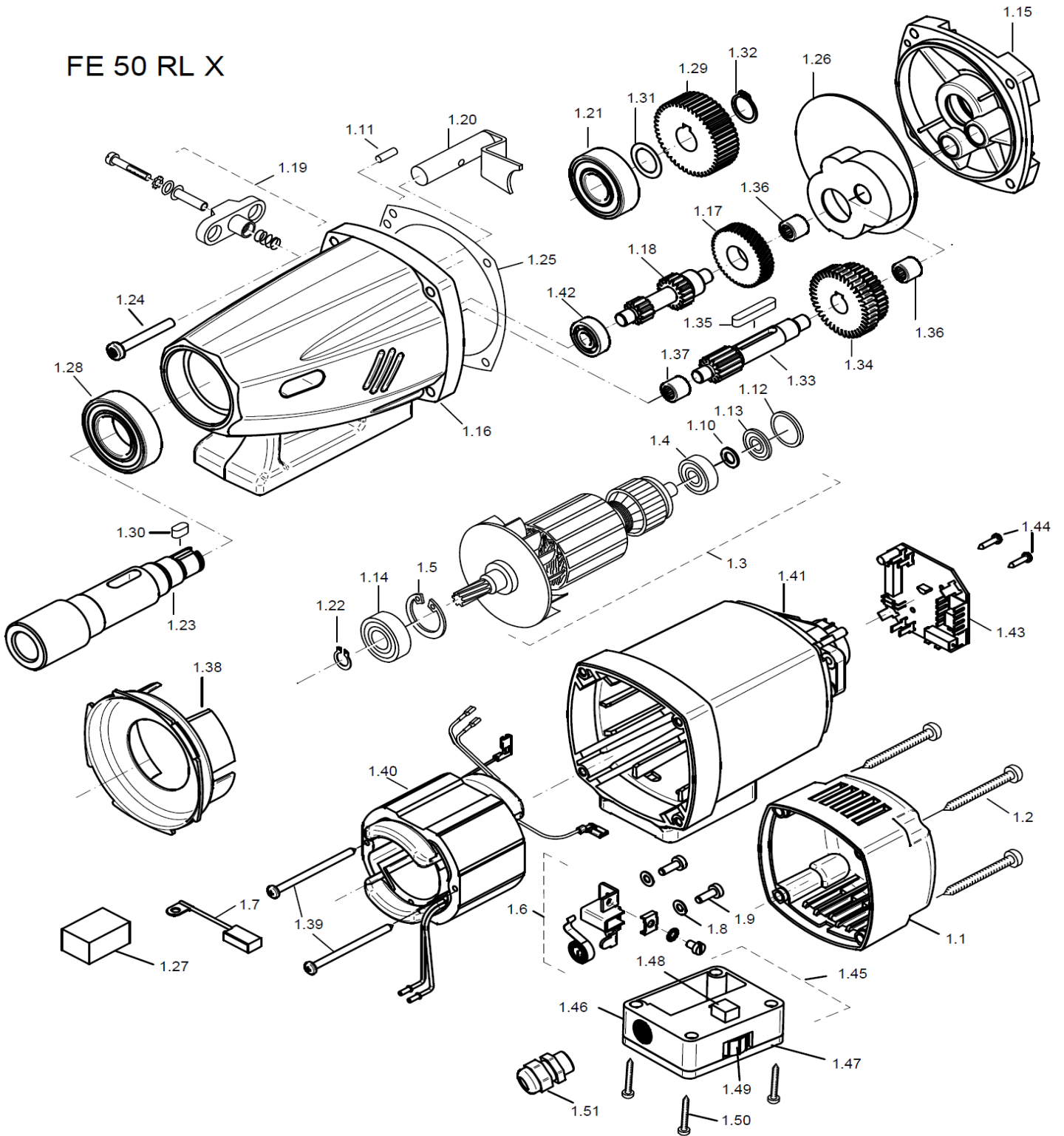


FE 50 RL X



Spare List 2015

FE 50RLX Motor Unit

Pos. Nr.	Article	Article description	Pcs	Price / Ea
1.1	5010691	Cover for Motor housing	1	7,70 €
1.2	5010581	Screw HC 4,8x45 DIN 7981	4	0,77 €
1.3	5010801	Armature 230V	1	150,48 €
1.4	5010061	Ball bearing 608 2Z	1	6,16 €
1.5	5010271	Circlip 28x1,2 DIN 472	1	1,10 €
1.6	5010561	Carbon brush holder	2	7,70 €
1.7	5010572	Carbon brush 6,3x10x18 für Version 230V	2	7,48 €
1.8	5013981	Spring washer B4 gewellt DIN 137	4	0,22 €
1.9	5013991	Threaded ridge screw ZM4x12	4	0,33 €
1.10	5014731	Tension Plate	1	0,99 €
1.11	5010291	Key M4x12 DIN 1474	1	0,44 €
1.12	5010591	O-Ring 22x2,5	1	0,66 €
1.13	5010781	Ringmagnet	1	12,98 €
1.14	5012501	Ball bearing 6001 2RS	1	11,66 €
1.15	5010731	Gearbox cover silber	1	44,22 €
1.16	5015331	Gearbox	1	53,46 €
1.17	5010541	Idler gear 34 T	1	21,56 €
1.18	5010421	Shaft with 2 Pinion 19/11 T	1	27,94 €
1.19	5010521	Gear switch complete	1	7,26 €
1.20	5010761	Clutch bolt complete	1	12,65 €
1.21	5010611	Ball bearing 6203 2RS	1	11,55 €
1.22	5010711	Circlip 11/1 DIN 471	1	0,44 €
1.23	5013471	Spindle drive shaft	1	39,49 €
1.24	5015231	PT-screw 50x40	4	1,54 €
1.25	5015111	Gear seal	1	2,86 €
1.26	5010771	Grease chamber seal	1	2,31 €
1.27	5014341	Filler 30x20x15	1	1,10 €
1.28	5011191	Ball bearing 6005 2RS	1	16,28 €
1.29	5010621	Spindle gear 45 T	1	44,00 €
1.30	5010751	key A5x5x12 DIN 6885	1	1,76 €
1.31	5010531	Washer 15x22x0,2 DIN 988	1	1,10 €
1.32	5010721	Circlip 15/1 DIN 471	1	0,88 €
1.33	5010411	Shaft for gear block 13 T	1	33,00 €
1.34	5010632	Gear block 34/40 T	1	45,32 €
1.35	5010501	key A5x5x28 DIN 6885	1	1,76 €
1.36	5010351	Needle bushing HK 0810 DIN 625	2	6,49 €
1.37	5014591	Needle bushing DL 0810	1	8,91 €
1.38	5010641	Air guide	1	7,70 €
1.39	5010031	Screw HC 3,9x60 DIN 7981	2	1,10 €
1.40	5010821	Field 230V	1	49,72 €
1.41	5014861	Motor housing complete black	1	42,35 €
1.42	5010071	Ball bearing 608	1	4,40 €
1.43	5010842	Motor control unit 230V	1	108,90 €
1.44	5012771	Screw HC 2,9x13 DIN 7981	2	0,44 €

Spare List 2015

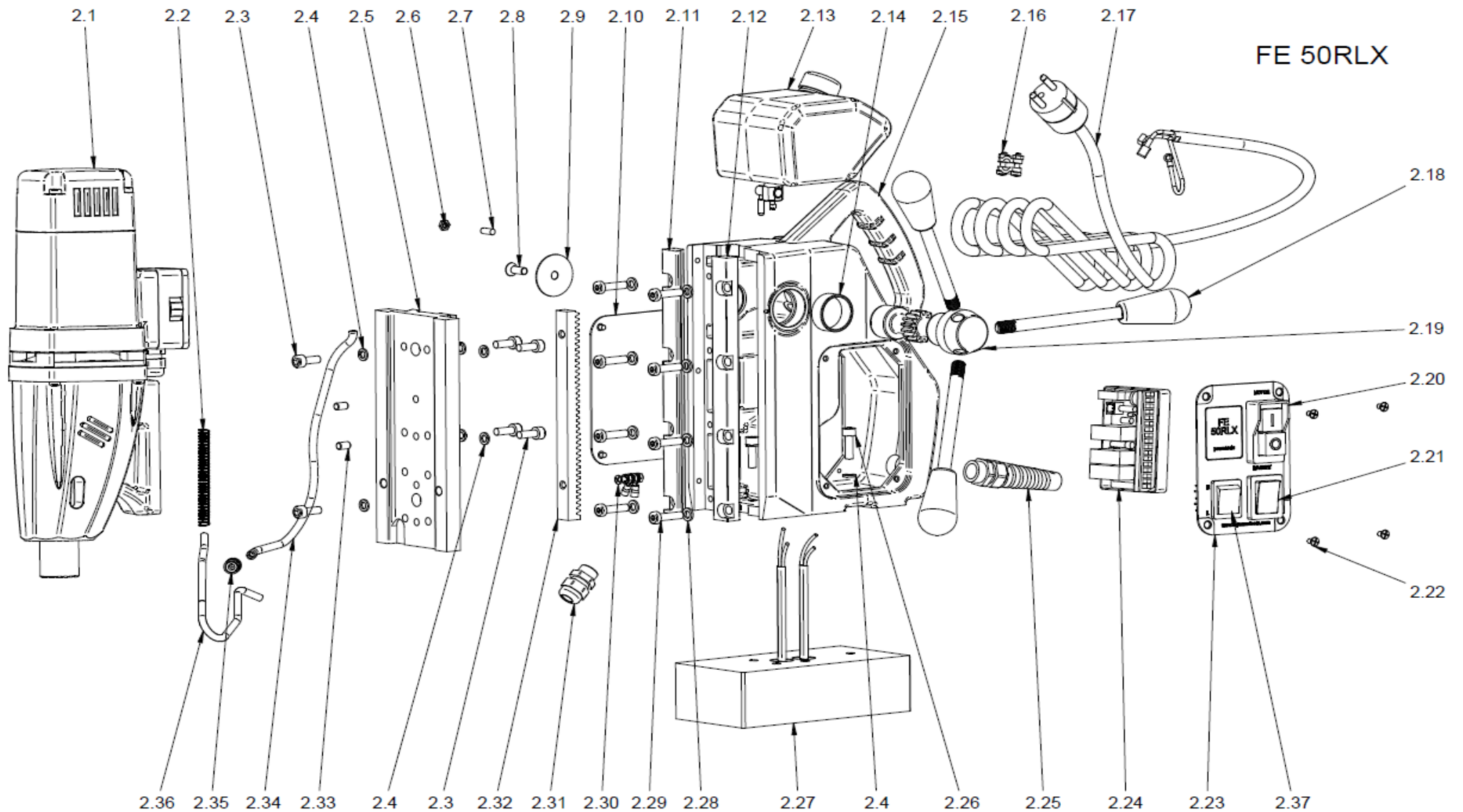
FE 50RLX Motor Unit

Pos. Nr.	Article	Article description	Pcs	Price / Ea
1.45	5012512	Potentiometer housing complete 100 kOhm	1	11,00 €
1.46	5015031	Potentiometer housing w/o Potentiometer and control dial	1	9,02 €
1.47	5010891	Potentiometer housing cover for motor cable	1	4,95 €
1.48	5011401	Potentiometer Speed 100kOhm 2V	1	8,36 €
1.49	5010861	Control dial speed 2V	1	2,64 €
1.50	5014001	Screw 5x40mm	4	0,55 €
1.51	6012131	Screwed cable gland PG9	1	0,99 €

Ersatzteilpreislise 2015

FE 50RLX Magnetbohrständer

Explosionszeichnung



Spare List 2015

FE 50RLX Stand

Pos. Nr.	Article	Article Description	Pcs	Price / Ea
2.1	5048021	Motor complete 230V black	1	491,26 €
2.2	6012181	Motor cable protection	1	1,65 €
2.3	6010011	Hexagon socket screw head cap M6x16 DIN 912	6	0,44 €
2.4	6010021	Spring washer 6,1 DIN 7980	9	0,33 €
2.5	4000252	Slide	1	27,17 €
2.6	6010031	Hexagon nut M5 DIN 934	4	0,33 €
2.7	6015431	Hexagon socket set screw M5x12 DIN 913	4	0,44 €
2.8	6010232	Screw M6x16 ISO 10642	1	0,66 €
2.9	6010221	Fastening disc 10,5x35x1,5	1	10,78 €
2.10	7011641	Rear plate	1	6,49 €
2.11	6012252	Aluminum guide left	1	10,34 €
2.12	6012262	Aluminum guide right	1	10,34 €
2.13	4010241	Coolant container	1	12,65 €
2.14	3020005	Glide bearing 28x32x12	2	1,43 €
2.15	4010011	Gehäuse	1	133,54 €
2.16	4010291	Strain-relief clamp	1	1,76 €
2.17	7010042	Main cable 230V	1	21,12 €
2.18	6010243	Handle	3	5,17 €
2.19	4010181	Gear shaft	1	23,54 €
2.20	7010801	Motor switch 230V	1	7,70 €
2.21	7010142	Magnet switch	1	6,38 €
2.22	7010081	Screw M4x8 DIN 966	4	0,33 €
2.23	7011612	Front plate	1	6,49 €
2.24	6012152	Steuerungsplatine mit 3 Relais 230V	1	41,58 €
2.25	7010031	Screwed cable gland	1	4,18 €
2.26	6010091	Cylinder screw hexagon socket M6x20 DIN 912	3	0,44 €
2.27	6010055	Magnet w/o indicator - 3 holes	1	88,44 €
2.28	6013441	Washer 6,4x11x1,6 DIN 433	8	0,33 €
2.29	6050141	Cylinder screw hexagon socket M6x25 DIN 7984	8	0,55 €
2.30	7010061	Earthing complete	1	1,54 €
2.31	6012131	Screwed cable gland PG9	1	0,99 €
2.32	6010081	Rack	1	17,82 €
2.33	4000101	Dowel pin 6m6x10 DIN 6325	2	0,44 €
2.34	ZSS 200SL	Hose, blue, 480 mm	1	4,62 €
2.35	ZSS 200K	Quick connect	1	7,26 €
2.36	7011091	Motor cable 670 mm	1	5,28 €
2.37	7010482	Rocker switch Rechts-/Links	1	6,38 €